



## MODEL 9070 THRU 9075 RECLASSIFYING MUFFLERS INSTALLATION AND MAINTENANCE

Maximum Pressure	Maximum Temperature
300 psi	160°F

### MUFFLER SYSTEM INSTALLATION

To install a complete muffler system, simply hand tighten the unit in the vertical position so that the reservoir is on the bottom to collect any liquid reclassified by the muffler. (See Figure 1) If wrench tightening is necessary, back out the reclassifier set screws with the supplied 5/64 allen wrench and pull the reclassifier element down so that the muffler wrench flats are accessible. (See Figure 2) Tighten the muffler with a wrench on the flats, and then replace the reclassifier element and re-tighten the set screws.

### RECLASSIFIER KIT INSTALLATION

To install a reclassifier muffler kit over existing metal mufflers, lubricate the O-ring seal with the supplied lubrication packet and slide the reclassifier muffler over the metal muffler with a twisting motion until the set screws align over the flats on the muffler. Use the provided allen wrench to tighten the set screws. Do not over tighten, plastic screws may strip.

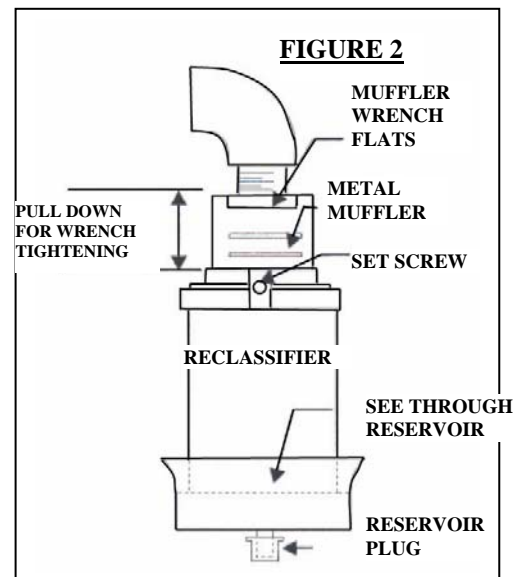
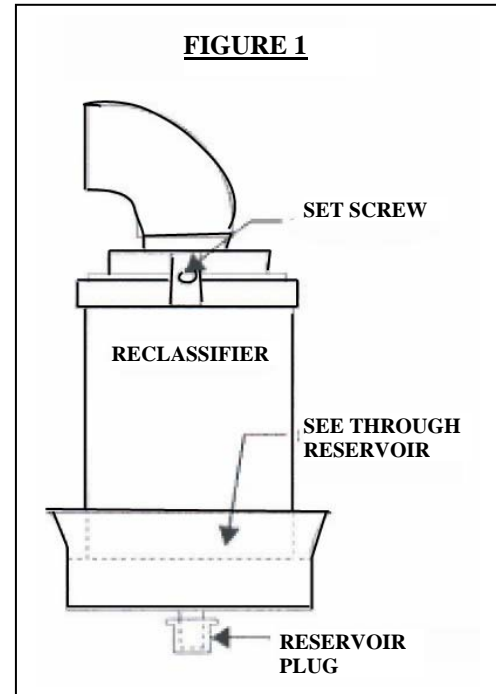
### RESERVOIR DRAIN

The reclassifier/quiet flow muffler includes a drain plug that is pushed on the reservoir. If desired, use a flat surface such as a coin, to pry off the plug for oil removal and if desired, push on a 1/4" I.D. tubing to transfer fluid to a larger reservoir.

### REPLACEMENT ELEMENT

The reclassifier/quiet muffler element can and should be replaced periodically. Note back pressure when element is new. An increase of back pressure of 2 psig over the original notation would require replacement. See chart for replacement element part number. It may become necessary to remove and drain the entire muffler if excessive oils collect. Use the box from the new element to discard the old element.

Pipe Size (inches)	Reclassifier/Quiet Muffler System	Reclassifier Replacement Element
1/8	9070	900553
1/4	9071	900553
3/8	9072	900554
1/2	9073	900554
3/4	9074	900555
1	9075	900555



For replacement or repair filter and regulator parts, contact EXAIR at 1-800-903-9247 or techhelp@exair.com. Call (513) 671-3322 for outside the US and Canada.

If you have any questions or problems, please contact an EXAIR Application Engineer at:

Toll Free: 1-800-903-9247 (U.S. and Canada)  
Telephone: (513) 671-3322 outside of U.S. and Canada  
Toll Free Fax: 1-866-329-3924 (U.S. and Canada)  
FAX: (513) 671-3363 outside of U.S. and Canada  
E-mail: [techhelp@exair.com](mailto:techhelp@exair.com)  
Website: [www.exair.com](http://www.exair.com)